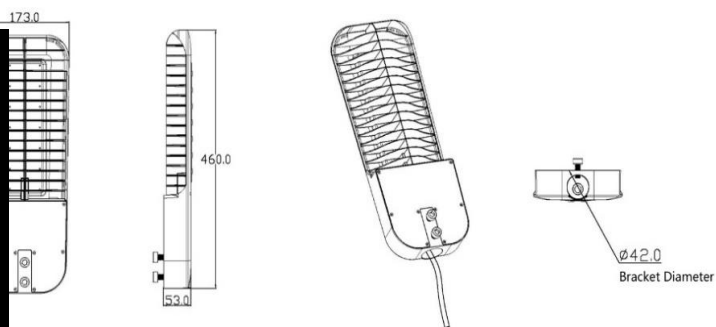


40WiM

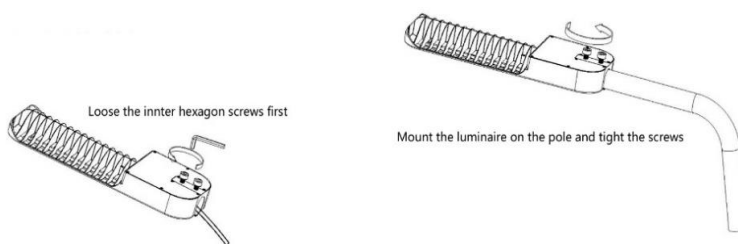
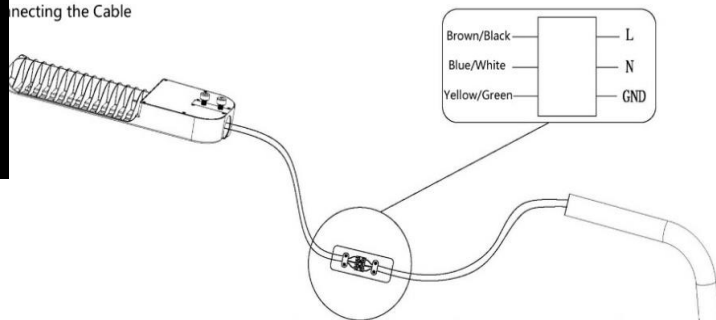
LED Street & Parking Light, 80-120W HID Replacement

DC Fixtures
3
YEAR
WARRANTY

AC Fixtures
5
YEAR
WARRANTY



Connecting the Cable



1-10V / PWM / Resistance dimming optional

Specifications

Electrical Specifications

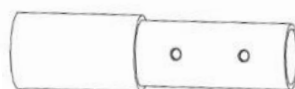
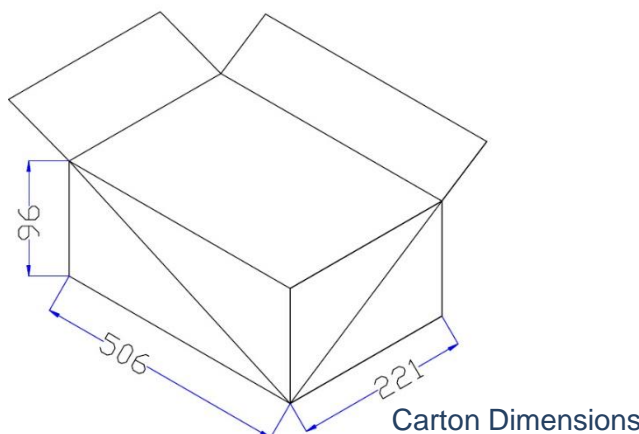
Model No.	40WiM
Nominal Wattage	40W
Nominal Voltage	90-305VAC, 50/60Hz 12/24VDC
Maximum Current	AC 0.4A (max)
Power Factor (PF)	>0.9
Driver Efficiency	>89%

Photometric Specifications

Luminous Flux	+Lumen tolerance +/- 5% 4,800lm
CRI	Ra>78
CCT	3000-6500K
Optional Beam Angle	50*150° / 90*100°

Mechanical Specifications

IP&IK Rating	IP66 & IK10
Lifetime	50000 hours - L70, @25°C
Structure	Unibody Aluminum
Lens	PC
Fixture Dimension	460*173*53mm 18.1*6.8*2.1 inches
Net Weight	2.45kg
Carton Dimension	506*221*96mm
Gross Weight	3.2kg



40-60mm converter available

50WiM

LED Street & Parking Light, 100-150W HID Replacement

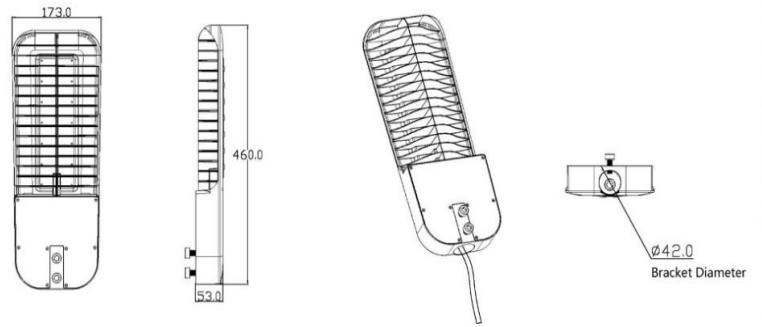
DC Fixtures
3
YEAR
WARRANTY

AC Fixtures
5
YEAR
WARRANTY

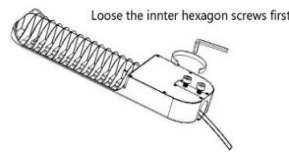
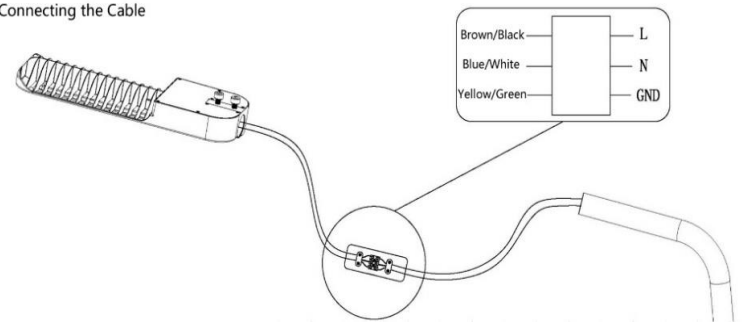
New



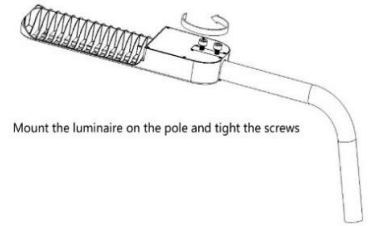
Black / white / silver / color housing optional
1-10V / PWM / Resistance dimming optional



Connecting the Cable



Loose the inner hexagon screws first



Mount the luminaire on the pole and tight the screws

Specifications

Electrical Specifications

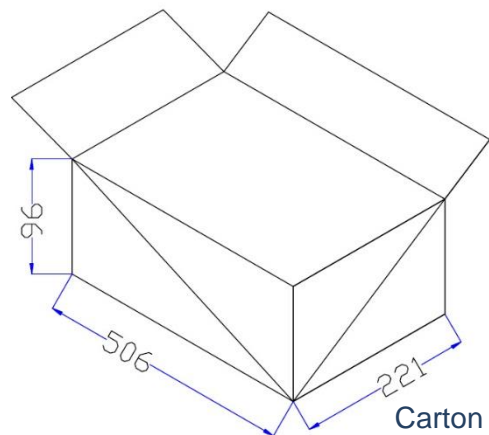
Model No.	50WiM
Nominal Wattage	50W
Nominal Voltage	90-305VAC, 50/60Hz 12/24VDC
Maximum Current	AC 0.5A (max)
Power Factor (PF)	>0.9
Driver Efficiency	>89%

Photometric Specifications

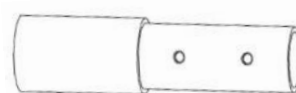
Luminous Flux	+Lumen tolerance +/- 5% 6,000lm
CRI	Ra>78
CCT	3000-6500K
Optional Beam Angle	50*150° / 90*100°

Mechanical Specifications

IP&IK Rating	IP66 & IK10
Lifetime	50000 hours - L70, @25°C
Structure	Uniboday Aluminum
Lens	PC
Fixture Dimension	460*173*53mm 18.1*6.8*2.1 inches
Net Weight	2.45kg
Carton Dimension	506*221*96mm
Gross Weight	3.2kg



Carton Dimensions



40-60mm converter available